

تم تحميل وعرض المادة من

موقع كتبي

المدرسية اونلاين



www.ktbbby.com

موقع كتبي يعرض لكم الكتب الدراسية الطبعة الجديدة
وحلولها، توزيع مناهج، تحضير، أوراق عمل، عروض
بوربوينت، نماذج إختبارات بشكل مباشر PDF

جميع الحقوق محفوظة للقائمين على العمل

KSA - Edition
Smart Class 6

**Elementary Stage
Sixth Elementary Grade
Second Semester**

Tests






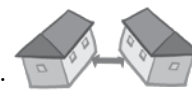
Contents

Test 1	3
Test 2	4
Test 3	5
Test 4	6
Test 1-4	7


Name _____


Total


1 Look and write. go straight opposite be quiet turn left turn right next to


1.  _____
 2.  _____
 3.  _____
 4.  _____
 5.  _____
 6.  _____

2 Look and circle a or b.


1.  a. It's a quarter to five.
 b. It's a quarter past five.


2.  a. It's half past eleven.
 b. It's a quarter past eleven.


3.  a. It's a quarter to ten.
 b. It's a quarter past nine.


4.  a. It's a quarter to four.
 b. It's a quarter past three.


3 Look and write. comics toy cars stamps coins dolls stickers


1. 200  _____

2. 1000  _____

3. 500  _____

4. 100  _____

5. 700  _____

6. 300  _____

4 Listen and number (1-4).

 a

 b

 c

 d

5 Read and complete. Turn off them How do I her
 Cross the street between Don't throw

1. _____ rubbish on the floor.

2. **A:** _____ get to the hospital?
B: _____. The hospital is _____
 the school and the park.

3. I've got 800 coins in my collection. Look at _____.





4. _____ your mobile phones in the library.

5. Look at _____. She's taking pictures!

1 Read and write. was were wasn't weren't

- A:** _____ Hasna at the amusement park on Thursday?
B: No, she _____.
- There _____ cars in Jeddah in the past. There _____ only camels.
- A:** The children _____ at the shopping centre yesterday, right?
B: No, they _____. I _____ at home with them.

2 Look and match.

- Was the Ferris wheel scary?  a. No, he wasn't.
- Was Karim at the sports centre in the afternoon?  b. Yes, they were.
- Were there a lot of people at the gallery?  c. Yes, it was.
- Were they at home in the evening?  d. No, there weren't.

3 Listen and circle. 

- Were the children at the zoo at the weekend?
a. Yes, they were.
b. No, they weren't.
- How was the book?
a. It was interesting.
b. It was boring.
- Where was Khaled yesterday evening?
a. He was at home.
b. He was at the shopping centre.
- Was the Ferris wheel scary?
a. Yes, it was.
b. No, it wasn't.

4 Put in the correct order.

- were'n't / galleries / There / any / my town / in / .

- was / a goat / on the farm / There / .

- souqs / and restaurants / were / There / .

- were'n't / The / children / noisy / .

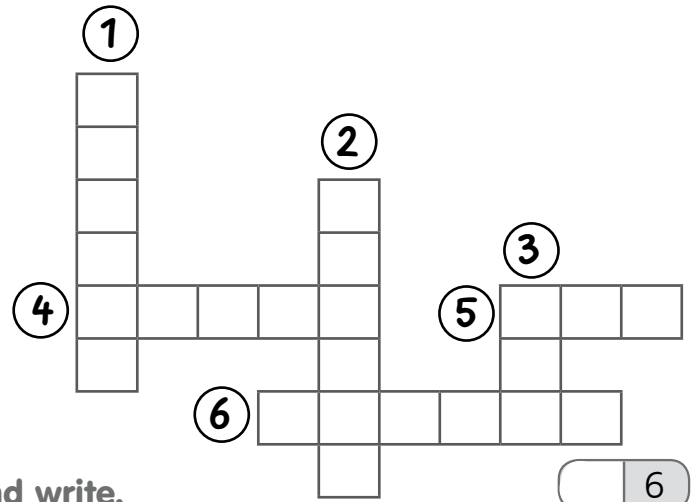
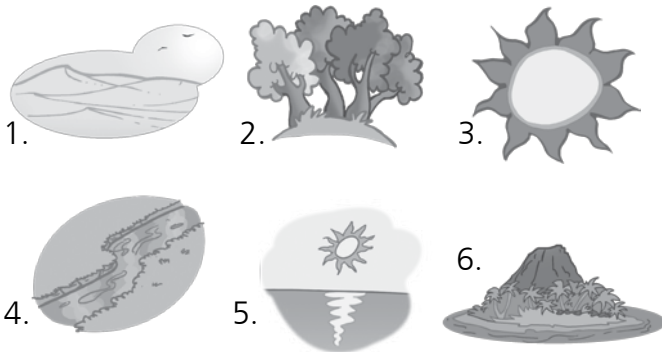
- Ali and Omar / in the afternoon / at the football field / Were / ?

Name _____

Total

1 Look and write.

sea sun river island forest desert



2 What did they do yesterday? Read and write. Use the Past Simple.

pick see go buy play have pack catch

- Ahmed and Saleh _____ hide and seek in the forest.
- Sahar _____ beautiful flowers for her mother.
- They _____ a picnic in the desert.
- Mr Jameel _____ three big fish.
- Afaf and her family _____ to the shopping centre.
- Reema _____ a shark.
- We _____ our bags.
- Helen _____ postcards of the KSA.

3 Listen and match.

1. Mother 2. Father 3. Maha 4. Jameel

- a. took pictures b. caught a fish c. picked flowers d. swam in the river

4 Answer about yourself.

- Did you go to an island in the summer? _____
- What did you have for breakfast yesterday? _____
- Did you buy postcards on your holiday? _____
- Did you take pictures on your holiday? _____
- Where did you go last weekend? _____
- Did you watch TV yesterday? _____

Name _____ Total **1 Read and write the names.**

1. Hasna is prettier than Lamyra.

a.  b.

2. Karim is faster than Ali.

a.  b.

3. Salim is a better student than Ali.

a.  b.

4. Hassan is fatter than Ameer.

a.  b.

5. Abdullah is angrier than Saleh.

a.  b.

3 Listen and match.

1. Reema

2. Hasna

3. Sahar

4. Lamyra

**4 Read and complete with going to and the verb in the brackets.**1. **A:** Where _____ (travel) to?**B:** I _____ (travel) to the KSA.2. Ali _____ (buy) a ticket. Then, he
_____ (book) a hotel.3. **A:** What _____ Fatima
_____ (take) with her?**B:** She _____ (take) her camera.**5 Answer about yourself.**

1. Where are you going to go on Thursday? _____

2. What are you going to do there? _____

3. What are you going to do then? _____

2 Look and write.

1. Elephants are

_____ (big) than hippos.



2. Saleh is the

_____ (happy) of the three.



3. The lion is the

_____ (scary) of the three.



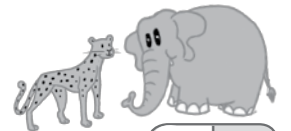
4. Omar is the

_____ (good) of the three.



5. The cheetah is

_____ (fast) than the elephant.





Name _____

Total

1 Read and complete. delicious interesting closed noisy


- We didn't go to the museum on Friday. It was _____.
- Jameel's project about sea animals was _____.
- I don't like shopping centres. They're very _____.
- Hasna ate kabsa yesterday. It was _____.

2 Look and answer the questions.

1.  What's the time? _____


2. How many stickers has she got? _____



3.  Salim can't wear shoes. Where is he? _____

4. Afaf can't take pictures. Where is she? _____



5.  What does the street sign say? _____

6. What did Sahar do at the weekend? _____





3 Read and write. Use the Past Simple.




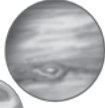
Yesterday, Fatima and Hasna (1) _____ (go) for a walk on the beach. Fatima (2) _____ (find) some shells and Hasna (3) _____ (swim) in the sea. Later, Fatima's father (4) _____ (catch) some fish, (5) _____ (make) a fire and they (6) _____ (eat).

4 Read and write. was were wasn't weren't



- Karim and I _____ at the amusement park yesterday. The Ferris wheel was great.
- Sahar _____ at the shopping centre yesterday. She stayed at home.
- A:** _____ Mum and Dad at the sports centre last night?
B: No, they _____. They _____ at the gallery.
- Hassan _____ at the football field on Thursday. Did you see him?



5 Look and write.

1. Salim is a _____ (good) student than Ali. **Ali**   **Salim**

2.    Hasna is the _____ (pretty) of the three girls. 

3. Mercury is the _____ (small) planet in the solar system. **Mercury**  

4.   The cheetah is _____ (fast) than the tiger.

5. The shark is the _____ (scary) of the three animals.  

5

6 Listen and match. 

1. Reema 2. Saud 3. Fatima 4. Saleh

- a.  b.  c.  d. 

4

7 Read and match.

- | | |
|--|---|
| 1. How do I get to the museum? | a. I was at the shopping centre. |
| 2. Where are you going to travel to? | b. I've got one thousand. |
| 3. Where were you yesterday? | c. No, there weren't. There were souqs. |
| 4. What do you collect? | d. I collect stickers. |
| 5. Were there shopping centres in your town in the past? | e. The KSA. |
| 6. How many coins have you got? | f. Go straight. Then, turn left. It's next to the park. |
| 7. Did you buy postcards on your holiday? | g. Yes, I did. |

7

8 Answer about yourself.

1. What's your favourite dessert? _____
2. Where were you at the weekend? _____
3. What do you usually have for breakfast? _____
4. Where did you go for your summer holidays? _____
5. Did you take pictures? _____

5

Smart Class 6

Tests

H.Q. Mitchell - Marileni Malkogianni

Published by: Tatweer Company for Educational Services

Published under special agreement between MM Publications and Tatweer Company for Educational Services (contract no. 2013/0040) for use in the KSA

Copyright © 2015 MM Publications

All rights reserved. No part of this publication may be reproduced, stored in a retrieval system or transmitted in any form or by any means, electronic, mechanical, photocopying, recording or otherwise, without permission in writing from the publishers.

MM Publications

Edition 2015-2016

ISBN: 978-960-573-598-2

ISBN: _____



Place ISBN here.



Special Edition for the
Ministry of Education of the
Kingdom of Saudi Arabia

SMART CLASS 6 SIXTH ELEMENTARY GRADE
FIRST SEMESTER– KEY TO TESTS

Key to Test 1

Activity 1

1. Turn left.
2. Turn right.
3. next to
4. Be quiet.
5. Go straight.
6. opposite

Activity 2

1. b
2. a
3. b
4. a

Activity 3

1. two hundred stamps
2. one thousand stickers
3. five hundred coins
4. one hundred comics
5. seven hundred toy cars
6. three hundred dolls

Activity 4

- a. 4
- b. 2
- c. 3
- d. 1

Activity 5

1. Don't throw
2. How do I, Cross the street, between
3. them
4. Turn off
5. her

Key to Test 2

Activity 1

1. Was, wasn't
2. weren't, were
3. were, weren't, was

Activity 2

1. c
2. a
3. d
4. b

Activity 3

1. a
2. b
3. b
4. a

Activity 4

1. There weren't any galleries in my town.
2. There was a goat on the farm.
3. There were souqs and restaurants.
4. The children weren't noisy.
5. Were Ali and Omar at the football field in the afternoon?

Key to Test 3

Activity 1

1. desert
2. forest
3. sun
4. river
5. sea
6. island

Activity 2

1. played
2. picked
3. had
4. caught
5. went
6. saw
7. packed
8. bought

Activity 3

1. c
2. a
3. b
4. d

Activity 4

open answers

Key to Test 4

Activity 1

1. a. Hasna b. Lamya
2. a. Karim b. Ali
3. a. Ali b. Salim
4. a. Ameer b. Hassan
5. a. Saleh b. Abdullah

Activity 2

1. bigger
2. happiest
3. scariest
4. best
5. faster

Activity 3

1. d
2. b
3. c
4. a

Activity 4

1. are you going to travel,
am going to travel

SMART CLASS 6 SIXTH ELEMENTARY GRADE
FIRST SEMESTER– KEY TO TESTS

2. is going to buy,
is going to book
3. is ... going to take,
is going to take

Activity 5

open answers

Key to Test 1-4

Activity 1

1. closed
2. interesting
3. noisy
4. delicious

Activity 2

1. It's a quarter past twelve. /
It's twelve fifteen.
2. Four hundred stickers.
3. He's at the mosque.
4. She's at the museum.
5. Turn left.
6. She picked flowers.

Activity 3

1. went
2. found
3. swam
4. caught
5. made
6. ate

Activity 4

1. were
2. wasn't
3. Were, weren't, were
4. was

Activity 5

1. better
2. prettiest
3. smallest
4. faster
5. scariest

Activity 6

1. a
2. d
3. c
4. b

Activity 7

1. f
2. e
3. a
4. d
5. c
6. b
7. g

Activity 8

open answers